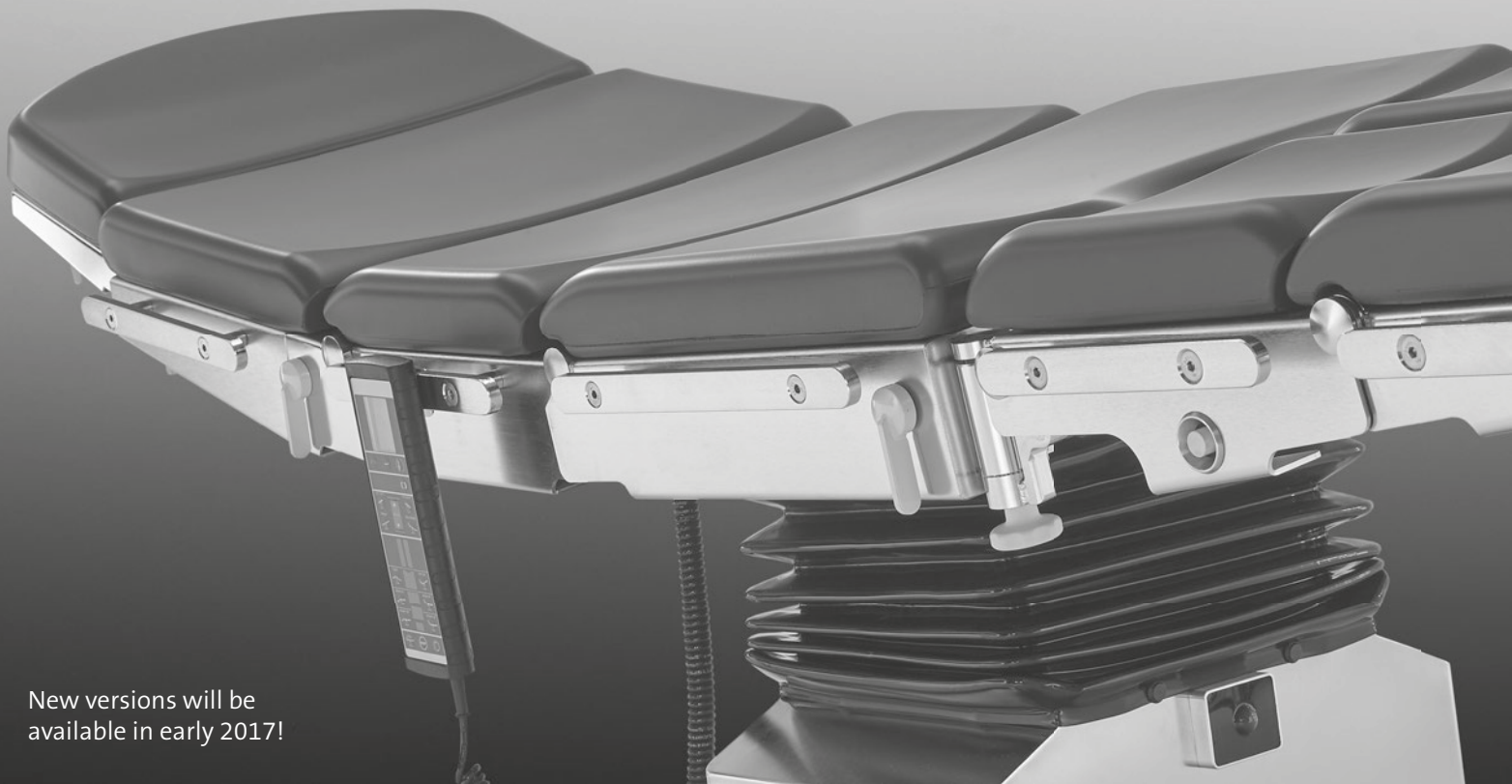


MOT6000 III



New versions will be
available in early 2017!

**Mobile Operating
Table Systems**



Perfection and Ergonomics

Polished high quality stainless steel edition (ChrNiSt, 1.4301)

Optimal to clean and disinfect

Easy handling and maintenance

Integrated batteries and charging unit

Hand switch with coloured display

Additional back-up system independent from any power source (optional)

Excellent manoeuvrability by central 5th castor

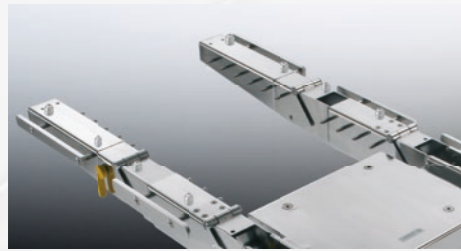
Suitable for x-ray and c-arm applications

Wide accessory range for all surgical disciplines

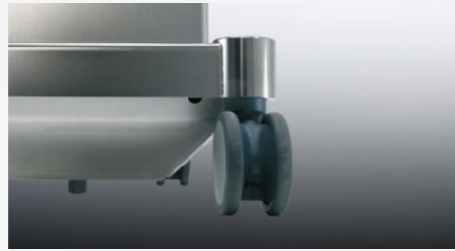
Maximum permissible overall load of 454 kg



Functionality and Design



Easy cleaning and disinfection through partly detachable upholsteries



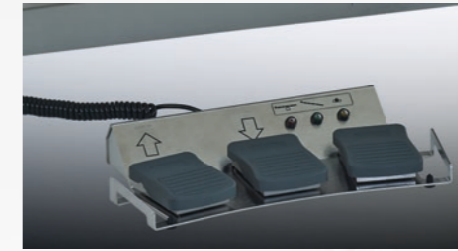
Easy maneuverability by means of double swivel castors and excellent foot access by special base construction



Fifth castor for effortless movement



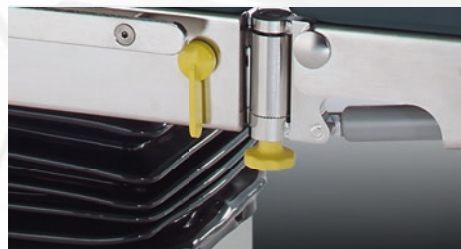
Additional control panel with battery indicator for electro-hydraulic adjustments at the column



Additional possibility to activate adjustments by foot switch (optional, art.-no. 604060, cannot be retrofitted)



Possibility to activate adjustments by additional foot pedals independent from any power source (Manual back-up system, optional, art.-no. 50655, cannot be retrofitted)



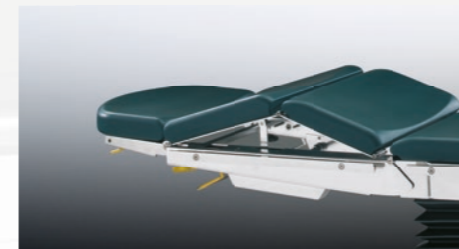
Coloured levers ensure quick and easy handling



Extendible stabilization cylinder ensure optimal stability of operating table (optional, art.-no. 50650, cannot be retrofitted)



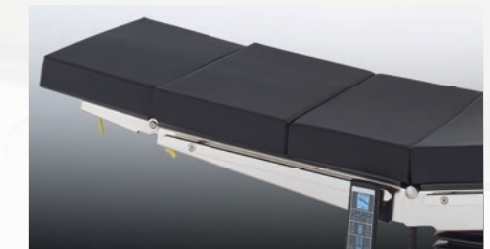
Electro-hydraulic adjustments by means of hand switch with integrated coloured display and battery indicator



Possibility for adjustment of kidney bridge by hand crank (optional, art.-no. 61655, only for model 601120, cannot be retrofitted)



Ergonomic formed PUR upholsteries, electrically conductive, H = 60 mm (basic configuration)



Alternative padding of lying surface with three-layered, visco elastic comfort upholsteries, H = 80 mm, detachable, electrically conductive (optional, art.-no. 5000SF for operating tables with one back section, art.-no. 6000SF for operating tables with two back sections)

Positionings



General surgery



Prone position



Spinal surgery



Struma



Endoscopic procedures



Gallbladder surgery

Positionings



Side position



Thorax- and kidney surgery



Endoscopy



Arthroscopy



Flex position



Reverse position

Positionings



Positionings



Models



601120

- Power supply 110/220 V, 50-60 Hz
- Integrated batteries and battery charger
- Hand switch with colour display for electro-hydraulic functions
- Additional operation panel at column
- Indicator of current charge of batterie at hand switch and column
- Lateral guide rails for attachment of accessories, stainless steel, 25 x 10 mm
- Continuous X-ray tunnel from head- to foot end
- Mobility with central brake
- 5th castor
- Upholstery H = 60 mm, electrically conductive
- Height adjustment from 690 mm to 1050 mm
- (Reverse-) Trendelenburg adjustment from -30° up to +30°
- Lateral tilt up to 20°
- Back rest adjustment from -40° up to +70°
- Sliding table top (total range: 310 mm)
- Flex / Reflex position
- Return to 0 position
- Maximum permissible overall load: 454 kg / 1000 lbs
- Table weight: approx. 200 kg
- Floor space required (l x w): 940 x 540 mm

Illustrations with accessories



601700

- Power supply 110/220 V, 50-60 Hz
- Integrated batteries and battery charger
- Hand switch with colour display for electro-hydraulic functions
- Additional operation panel at column
- Indicator of current charge of batterie at hand switch and column
- Lateral guide rails for attachment of accessories, stainless steel, 25 x 10 mm
- Continuous X-ray tunnel from head- to foot end
- Mobility with central brake
- 5th castor
- Upholstery H = 60 mm, electrically conductive
- Adjustment of kidney bridge by hand switch
- Changeable back section segments
- Height adjustment from 690 mm to 1050 mm
- (Reverse-) Trendelenburg adjustment from -30° up to +30°
- Lateral tilt up to 20°
- Lower back rest adjustment from -40° up to +70°
- Upper back rest adjustment from -35° up to +50°
- Flex / Reflex position
- Return to 0 position
- Maximum permissible overall load: 454 kg / 1000 lbs
- Table weight: approx. 200 kg
- Floor space required (l x w): 940 x 540 mm

Illustrations with accessories

Models



601820

- Power supply 110/220 V, 50-60 Hz
- Integrated batteries and battery charger
- Hand switch with colour display for electro-hydraulic functions
- Additional operation panel at column
- Indicator of current charge of batterie at hand switch and column
- Lateral guide rails for attachment of accessories, stainless steel, 25 x 10 mm
- Continuous X-ray tunnel from head- to foot end
- Mobility with central brake
- 5th castor
- Upholstery H = 60 mm, electrically conductive
- Adjustment of kidney bridge by hand switch
- Changeable back section segments
- Height adjustment from 690 mm to 1050 mm
- (Reverse-) Trendelenburg adjustment from -30° up to +30°
- Lateral tilt up to 20°
- Lower back rest adjustment from -40° up to +70°
- Upper back rest adjustment from -35° up to +50°
- Sliding table top (total range: 310 mm)
- Flex / Reflex position
- Return to 0 position
- Maximum permissible overall load: 454 kg / 1000 lbs
- Table weight: approx. 200 kg
- Floor space required (l x w): 940 x 540 mm

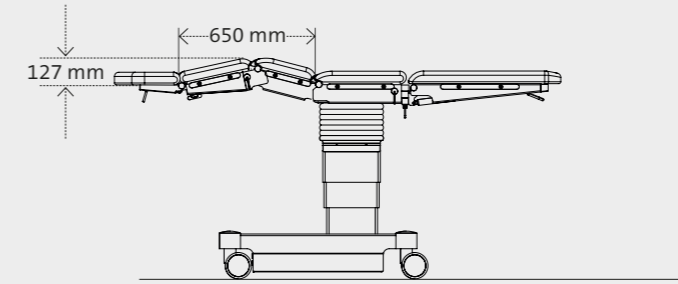
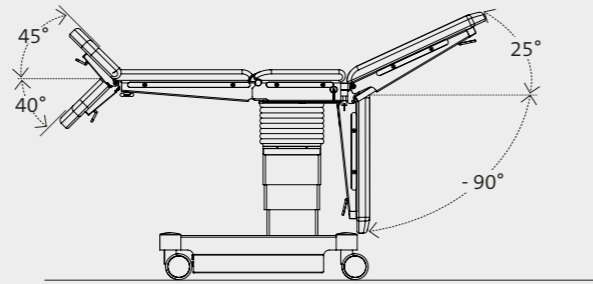
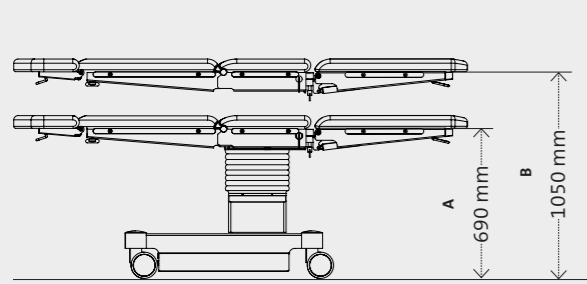
Illustrations with accessories



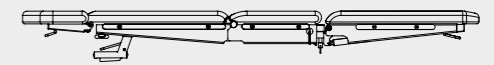
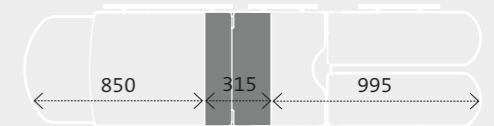
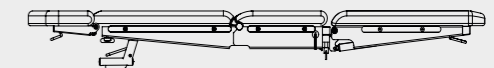
	Adjusting range	601120	601700	601820
Height adjustment	690 - 1050 mm	●	●	●
Trendelenburg	-30° / +30°	●	●	●
Lateral tilt	-20° / +20°	●	●	●
Back rest adjustment (lower back rest)	-40° / +70°	●	●	●
Back rest adjustment (upper back rest)	-35° / +50°		●	●
Flexion movement		●	●	●
Sliding table top	310 mm	●		●
Fifth castor		●	■	■
Automatic levelling		●	●	●
Central brake		●	●	●
Kidney bridge		◆	●	●
Manual override		◆	◆	◆
Stability cylinders at the base		◆	◆	◆
Maximum permissible overall load		454 kg	454 kg	454 kg

● Electro-hydraulic ■ Manual ◆ Optional

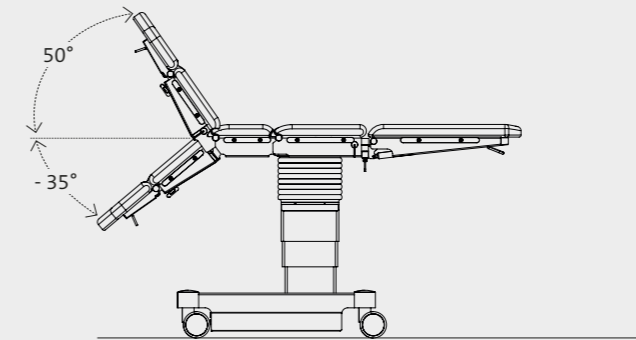
Technical Information



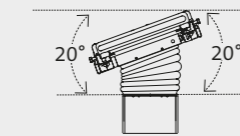
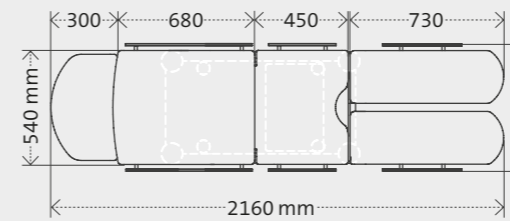
**Sliding table top
(only models 601120 and 601820)**



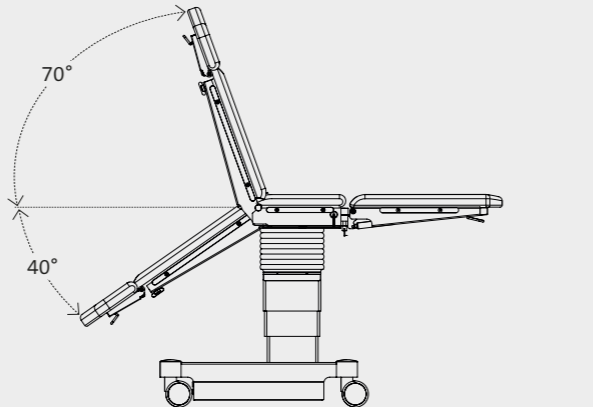
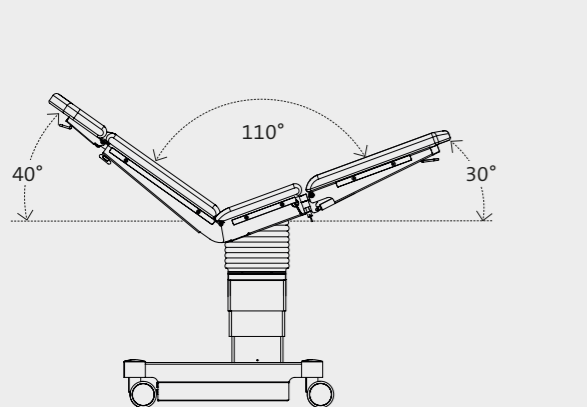
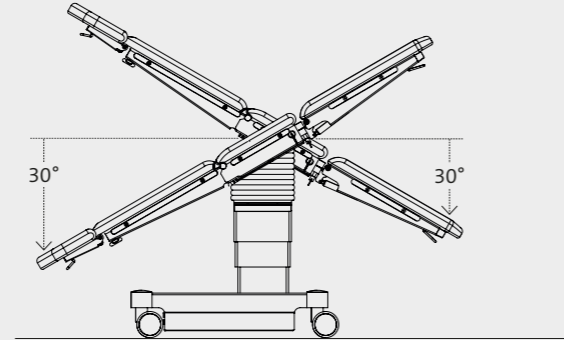
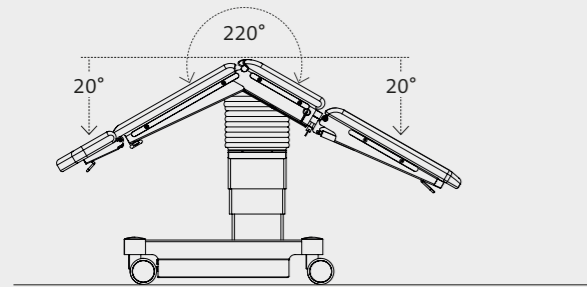
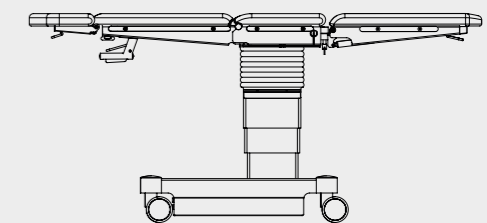
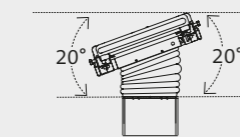
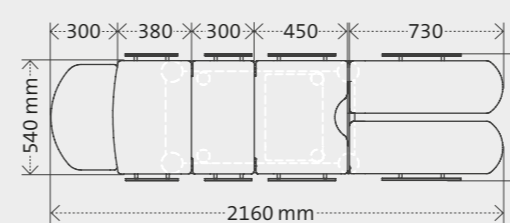
Only models 601700 / 601820

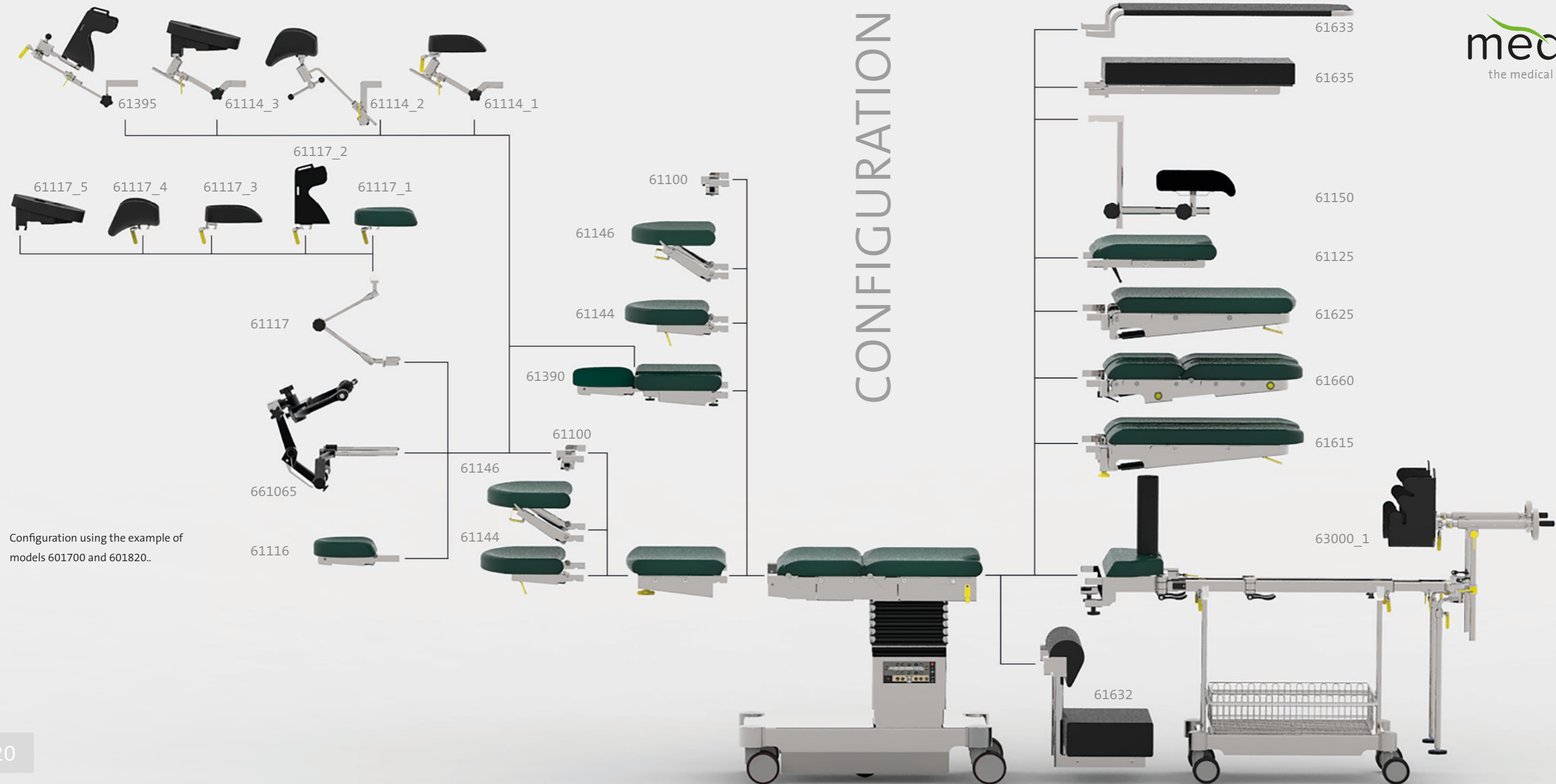


Ground plan 601120



Ground plan 601700 / 601820





Configuration using the example of models 601700 and 601820..

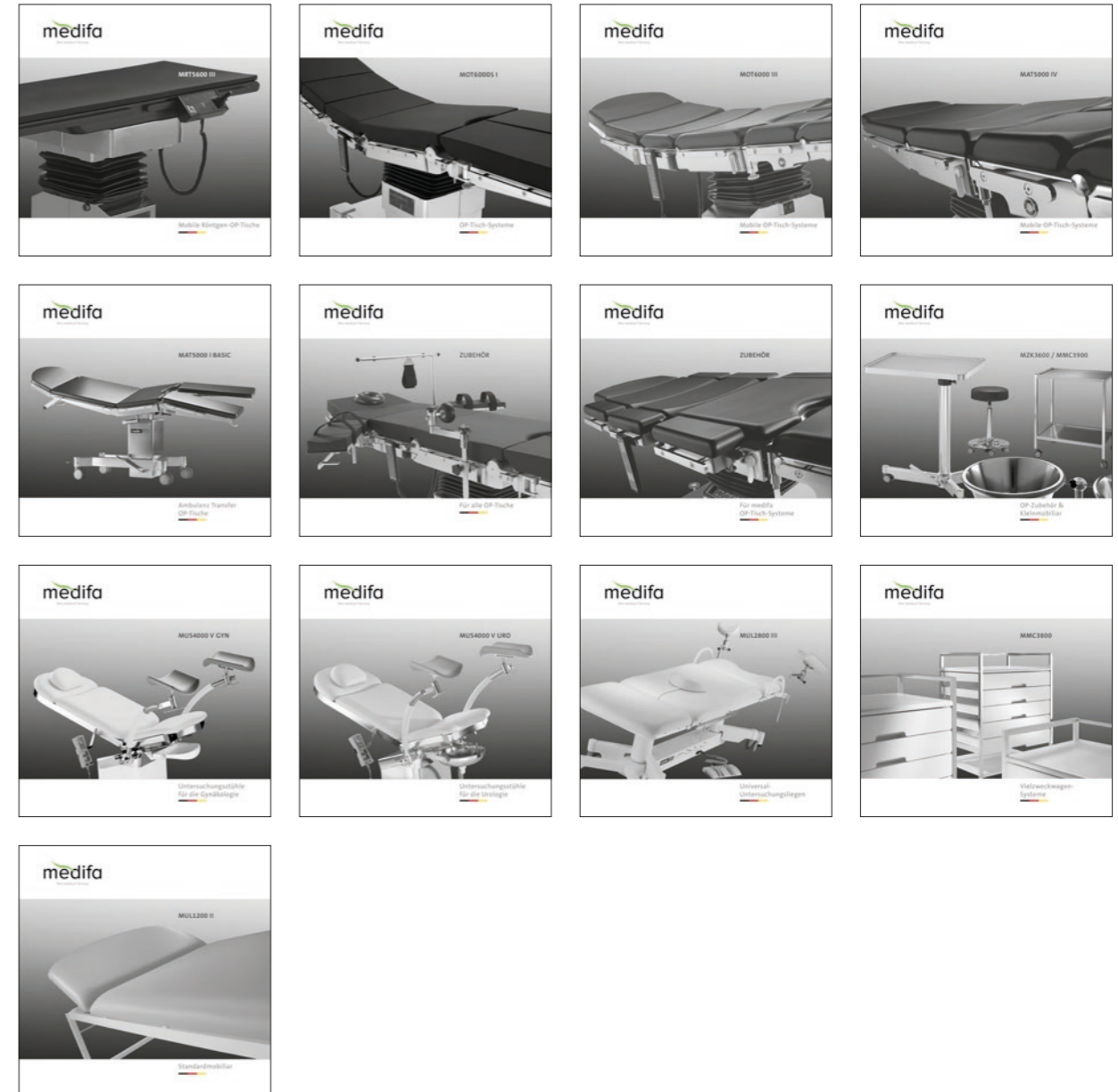
Additional accessories

A wide range of optional accessories complements the application spectrum of our operating tables.

For central storage of accessories we offer an accessory trolley (art.-no. 341045_2) completely made of stainless steel. The trolley has five insertions for storing of upholstery segments and five guide rails (25 x 10 mm) for attachment of additional accessories as well as a shelf for smaller accessories.



Our full range of products:





medifa-hesse GmbH & Co. KG
Industriestrasse 5
57413 Finnentrop

fon +49 2721 71 77 -0
fax +49 2721 71 77 -15

www.medifa.com
info@medifa.com



Version 0001-16-EN
Data subject to change without notice.

Made in Germany

